

Dreihä **ATMOS 4.4**

ROOFTOP AIR CONDITIONER

Vans · Mini Buses · RV's · Trucks





18% LIGHTER

The New **Dreiha ATMOS 15,000 Rooftop Air Conditioner** offers **10% greater cooling efficiency** than R410a, which allows for greater compressor operating efficiency.

Modern Design

The modern and innovative design not only results in a stylish design, the it also offers low air resistance, making it ideal for leisure use.

Air Distribution

The console plenum distributes the cool or warm air quickly and effectively throughout the vehicle. This ensures maximum comfort.

The compact design allows the air conditioner to be easily and quickly mounted in a standard 14.25"x 14,.25" roof cutout.

Dreiha **ATMOS**

ROOFTOP AIR CONDITIONER

4.4



13 ft.

40 ft.



- Cooling, heating, fan and dehumidification **MODE**
- Efficient **air distribution in two directions**
- **Intelligent preheating** no cold air at the start of heating
- Low voltage **startup function**
- Air filter **pollution alarm**
- Effective cooling
- Includes **Intelligent Defrosting**
- Sleep mode
- Quiet operation
- **Aerodynamic and compact** design
- **Energy saving** compressor
- **Self-diagnosis** and fault Reading
- **Automatic restart function** after power failure
- **Timer** function
- Replaceable & Washable **air filter**

ATMOS 4.4



13 ft.

40 ft.



APPLICATIONS

Vehicles from 4 meters to 10 meters.



VANS



MINI BUSES



RV'S

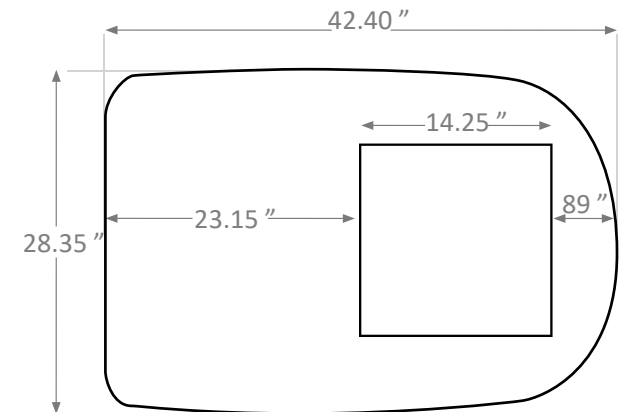
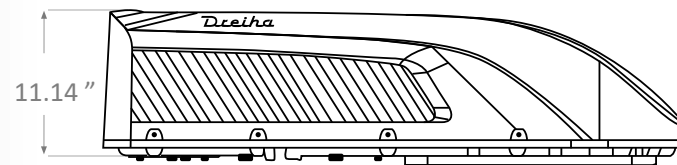
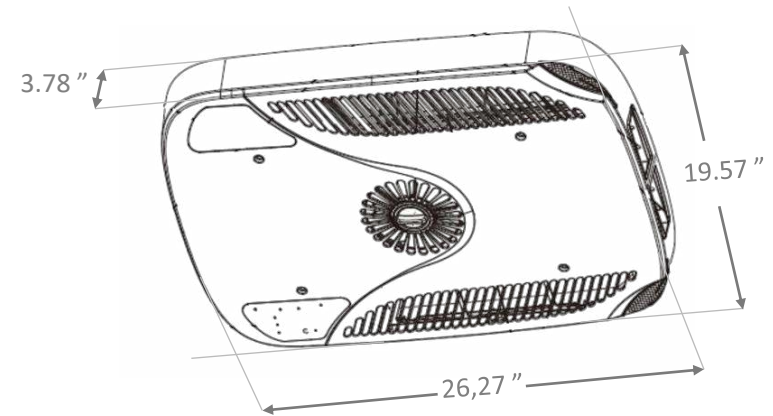
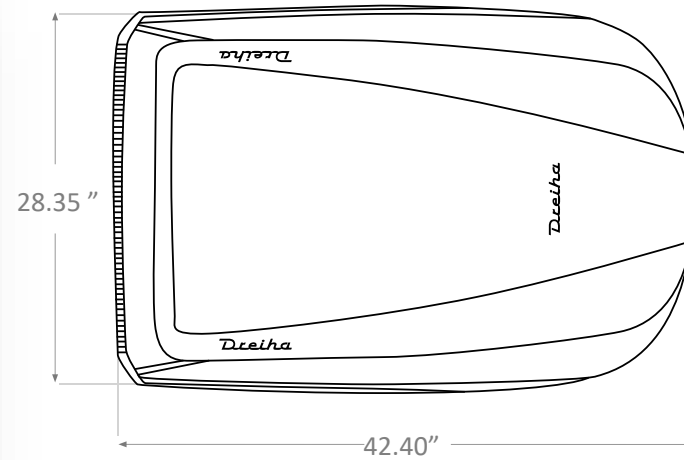


TRUCK

ATMOS 4.4 TECHNICAL DETAILS

UNIT DIMENSIONS

*inch



COOLING CAPACITY	✓ 15,000 Btu
HEATING CAPACITY	✓ 12,000 Btu
EXTERNAL DIMENSIONS	✓ 42.40" × 28.35" × 12.17"
DIMENSION AIR DIFFUSER	✓ 26.27" × 19.57" × 3,78"
MOUNTING HOLE IN THE ROOF	✓ 14.25" x 14.25"
INPUT VOLTAGE (AC)	✓ 215V
WEIGHT	✓ 77.16 lbs.
COOLING CONSUMPTION	✓ 1160 W
HEATING CONSUMPTION	✓ 1000 W
NOISE LEVEL	✓ 53 dB
REFRIGERANT	✓ R32
FAN SPEEDS	✓ 4
TEMPERATURE	✓ 61 °f ~ 86 °f
OPERATING TEMPERATURE RANGE	✓ 23 °f ~ 115 °f
COOLING CURRENT COOLING / HEATING	✓ 11 / 10 A
RATED POWER CURRENT	✓ 12.5 A

Dreiha ATMOS 4.4



R32



FILTER CLEANING
PROMPT



INTELLIGENT
AUTO RESTART



TURBO
BUTTON



INTELLIGENT
DEFROSTING



SELF-DIAGNOSIS



LED DISPLAY



TIMER



WIFI CONTROL



COMFORTABLE
SLEEP MODE



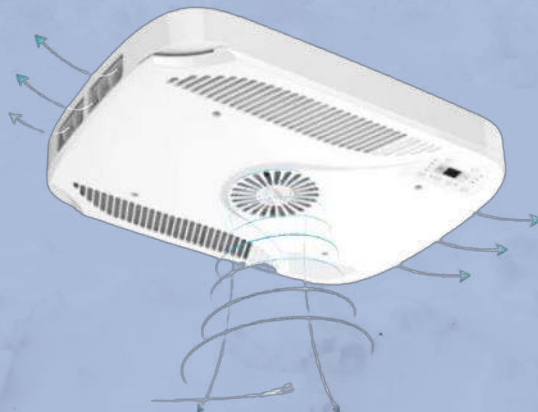
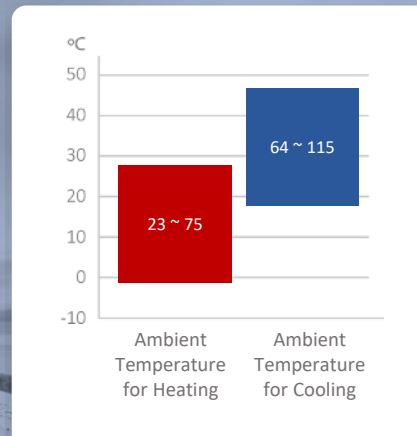
Lightweight ODU

The housing is constructed of high quality polypropylene plastic and the internal component cover is made of EPP to provide a robust overall housing material construction. Overall the unit design and housing materials result in a lightweight product. Where possible, flexible materials are used which helps to reduce vibration.



Designed for Extreme Weather

Even under varying weather conditions such as extreme heat and bitter cold, **Dreiha Atmos 15,000** will still work effectively,



Low Profile Design

This unit offers two inlets; an air outlet and an air duct cabin distribution plenum incorporating one motor and two fans, featuring a compact design. The maximum height of the unit is less than 11.14 ".

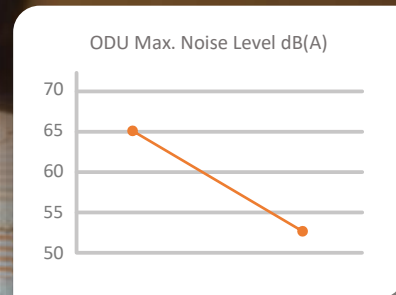




Efficient Noise Reduction

The air distribution plenum design is optimized through the CFD design technology.

Dreiha ATMOS 15,000 features high airflow distribution with overall low operational noise output.



Intelligent Dehumidification

Dehumidification mode, offers cabin occupants a moisture-free environment, providing an overall higher quality of cabin air intake.



Kenway

Leader in HVAC
systems and innovation



Worldwide presence

Spain

C/ Ing. Torres Quevedo 6
28022 Madrid, Spain
☎ +34 917 613 834
✉ mail@sanz.eu

Germany

Dreiha GmbH
Grönlandstraße 20
28719, Bremen
☎ +49 421 649 290
✉ post@sanzdreiha.com

Poland

Ul 28. Czerwca 56r. Nr 390
sektor C. 61-441
Poznań, Poland
☎ +48 61 8429 166
✉ poczta@sanz.eu

Russia

Prospekt Gagarina 178
Nizhny Nóvgorod, Russia
☎ +79 519 036 305
✉ info@sanz.eu

Mexico

Avda. de las Fuentes, 106
(nave #6). El Marqués
Querétaro Arteaga 76246
México
☎ +52 (442) 221 6662
✉ contacto@sanz.eu

Brazil

Rodovia BR-116 Km 144
Nº 13148. Bairro São Cristovão
Caxias do Sul (RS), Brasil
☎ +55 (54) 3028 1155
✉ correio@sanz.eu

USA

Kenway Engineering
2555 Lake Ave
Fairmont, MN 56031, USA
☎ +1 (507) 238-905
✉ mail@sanzkenway.com

sanzclima.com